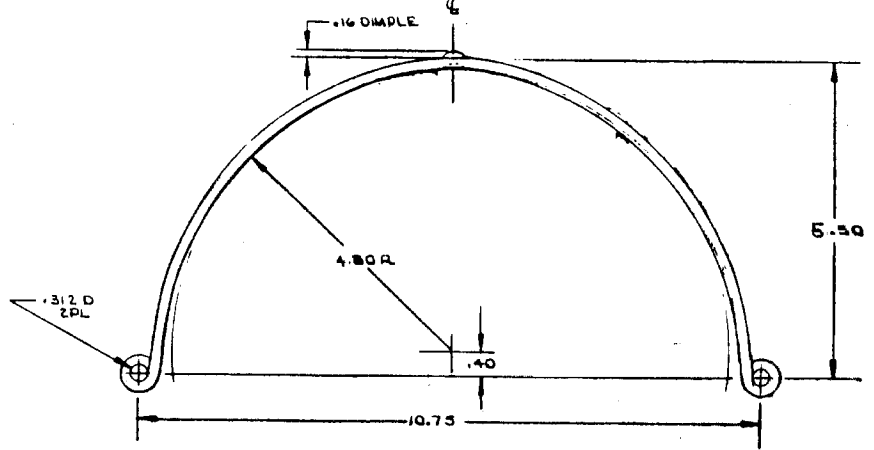
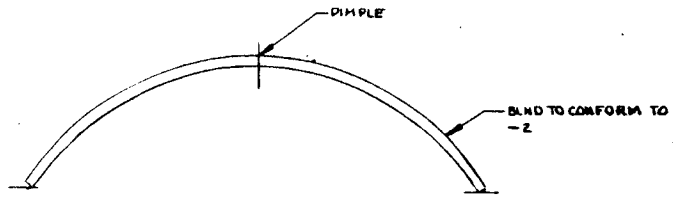
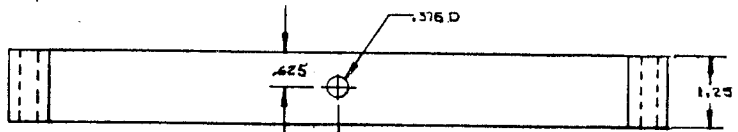


MATERIAL: 4130 STEEL X .090



MATERIAL: STEEL 6150 X $\frac{3}{16}$ THICK X $1\frac{1}{2}$ WIDE (ANNEALED SOFT)

- 1 PART 13.75 LONG
- 2 PART 18.25 LONG
- 3 PART 3.50 LONG
- 4 PART 6.80 LONG

NOTE:
1. AFTER FORMING HEAT TREAT TO ROCKWELL C
2. ROUND ALL CORNERS

AERO-SYSTEMS [®] WICHITA, KS 67212	
CADET SPRING ASSY. LANDING GEAR	
MODEL STF BYN.14 FRAME MTE 12/93	1-100